

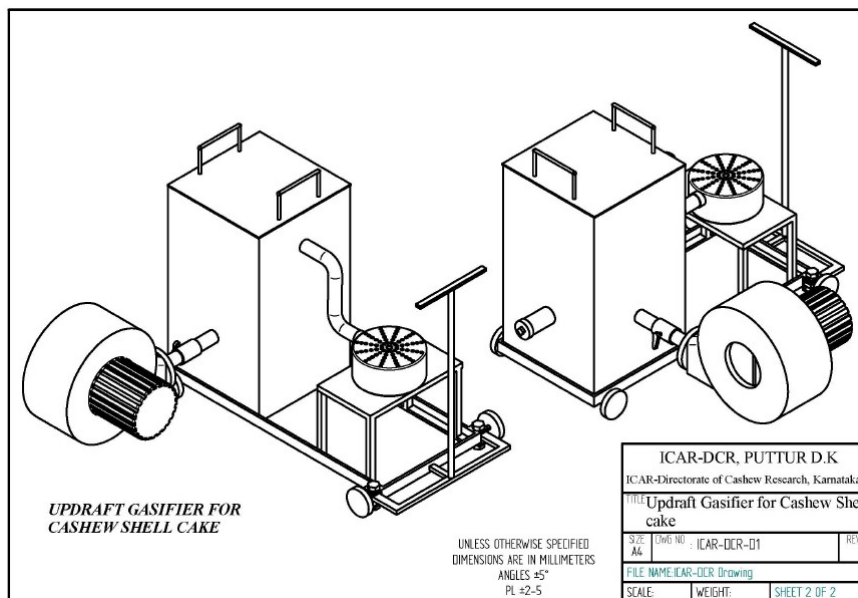
MESA
Rev 1.0
ME
23/11/2017

The department is providing consultancy services in the field of Finite Element Analysis / Computer Aided Drawing to serve the requirement of Mechanical engineering industries.

The list of consultancy services include,

- 3D CAD modeling
- Detailed production drawing
- 2D/3D Meshing
- Static and Dynamic Analysis
- Detailed report generation

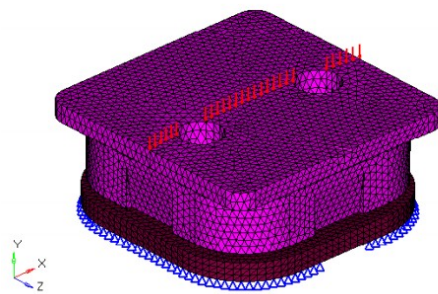
A consultancy project, “Production Drawings for Post Harvesting Machine” was completed during the year 2017-18 for the client, ICAR- Directorate Cashew Research center, Puttur D. K. The project was based on 2D & 3D CAD modeling of Existing Post Harvesting Machines.



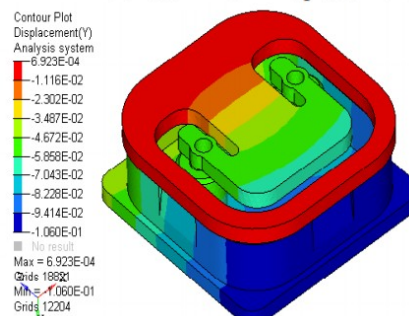
CAD Drawing of Updraft Gasifier Machine

A consultancy project, “Structural Analysis of Load Cell” was completed during the year 2016-17 for the client, Supram Industries, Bengaluru. The project was based on finite element analysis of a load cell to determine stresses and displacement.

Load cell: Meshed Model



Contour Plot - Displacement



Structural analysis of load cell - (a) FE model and (b) Displacement plot